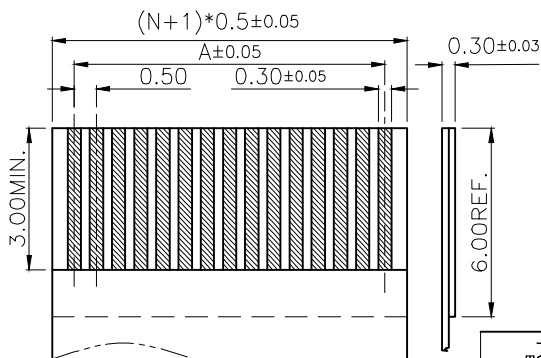
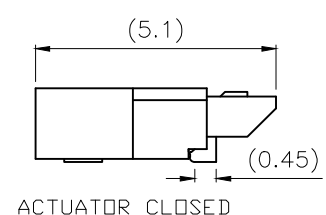
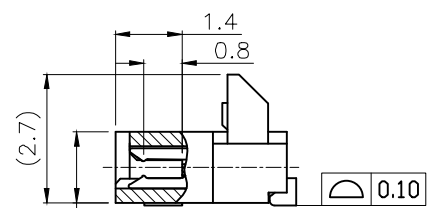


RECOMMEND PCB LAYOUT



Specifications:
 Housing: LCP UL94-V0 Color: Nature
 Cove: LCP UL94-V0 Color: Black
 Contact: Phosphor Bronze
 Operating Voltage: 50V AC/DC
 Current Rating: 0.5A AC/DC
 Withstand Voltage: 250V AC/Minute
 Contact Resistance: ≤20mΩ
 Insulation resistance: ≥100MΩ
 Operating Temperature: -25°C ~ +85°C

CKTS	DIM A	DIM B	DIM C	CKTS	DIM A	DIM B	DIM C
4	1.50	2.60	5.40	33	16.00	17.10	19.90
5	2.00	3.10	5.90	34	16.50	17.60	20.40
6	2.50	3.60	6.40	35	17.00	18.10	20.90
7	3.00	4.10	6.90	36	17.50	18.60	21.40
8	3.50	4.60	7.40	37	18.00	19.10	21.90
9	4.00	5.10	7.90	38	18.50	19.60	22.40
10	4.50	5.60	8.40	39	19.00	20.10	22.90
11	5.00	6.10	8.90	40	19.50	20.60	23.40
12	5.50	6.60	9.40	41	20.00	21.10	23.90
13	6.00	7.10	9.90	42	20.50	21.60	24.40
14	6.50	7.60	10.40	43	21.00	22.10	24.90
15	7.00	8.10	10.90	44	21.50	22.60	25.40
16	7.50	8.60	11.40	45	22.00	23.10	25.90
17	8.00	9.10	11.90	46	22.50	23.60	26.40
18	8.50	9.60	12.40	47	23.00	24.10	26.90
19	9.00	10.10	12.90	48	23.50	24.60	27.40
20	9.50	10.60	13.40	49	24.00	25.10	27.90
21	10.00	11.10	13.90	50	24.50	25.60	28.40
22	10.50	11.60	14.40	51	25.00	26.10	28.90
23	11.00	12.10	14.90	52	25.50	26.60	29.40
24	11.50	12.60	15.40	53	26.00	27.10	29.90
25	12.00	13.10	15.90	54	26.50	27.60	30.40
26	12.50	13.60	16.40	55	27.00	28.10	30.90
27	13.00	14.10	16.90	56	27.50	28.60	31.40
28	13.50	14.60	17.40	57	28.00	29.10	31.90
29	14.00	15.10	17.90	58	28.50	29.60	32.40
30	14.50	15.60	18.40	59	29.00	30.10	32.90
31	15.00	16.10	18.90	60	29.50	30.60	33.40
32	15.50	16.60	19.40				

一般公差
 TOLERANCES
 X ±0.40 XX ±0.20
 X ±0.30 .XXX ±0.10
 ANGLES ±2°

检验尺寸标示
 SYMBOLS Ⓢ Ⓣ INDICATE CLASSIFICATION DIMENSION
 Ⓢ MARK IS CRITICAL DIM.
 Ⓣ MARK IS MAJOR DIM.

表面处理 (FINISH)

深圳市宏利电子有限公司
 Shenzhen Holy Electronic Co.,Ltd

工程图号: FPC0515HX-nP
 品名: FPC0.5mm -nP H1.5mm 前插后掀
 TITLE: FPC0.5mm Pitch H=1.5 Easy-on Back-Flip ZIF CONN
 比例 (SCALE): 1:1
 单位 (UNITS): mm

制图 (DR): *10/03/22
 审核 (CHKD):
 核准 (APPD): Rigo Lu
 张数 (SHEET): 1 OF 1
 SIZE: A4
 REV: 0

REV	REVISION DESCRIPTION	DATE	SIGNATURE
△			