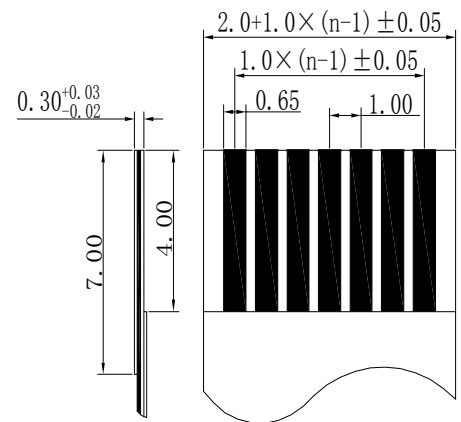


PC BOARD LAYOUT



Specifications:
Housing: LCP UL94-V0 Color: Nature
Contact: Phosphor Bronze
Operating Voltage: 50V AC/DC
Current Rating: 0.5A AC/DC
Withstand Voltage: 250V AC/Minute
Contact Resistance: ≤20mΩ
Insulation resistance: ≥100MΩ
Operating Temperature: -25°C ~ +85°C

NO. of Contacts (n)	Dimensions		
	A	B	C
004	3.0	5.1	8.3
005	4.0	6.1	9.3
006	5.0	7.1	10.3
007	6.0	8.1	11.3
008	7.0	9.1	12.3
009	8.0	10.1	13.3
010	9.0	11.1	14.3
011	10.0	12.1	15.3
012	11.0	13.1	16.3
013	12.0	14.1	17.3
014	13.0	15.1	18.3
015	14.0	16.1	19.3
016	15.0	17.1	20.3
017	16.0	18.1	21.3
018	17.0	19.1	22.3
019	18.0	20.1	23.3
020	19.0	21.1	24.3
021	20.0	22.1	25.3
022	21.0	23.1	26.3
023	22.0	24.1	27.3
024	23.0	25.1	28.3
025	24.0	26.1	29.3
026	25.0	27.1	30.3
027	26.0	28.1	31.3
028	27.0	29.1	32.3
029	28.0	30.1	33.3
030	29.0	31.1	34.3
031	30.0	32.1	35.3
032	31.0	33.1	36.3

一般公差 TOLERANCES	
X. ±0.40	.XX ±0.20
.X ±0.30	.XXX ±0.10
ANGLES ±2°	
检验尺寸标示 SYMBOLS	INDICATE CLASSIFICATION DIMENSION
⊙ MARK IS CRITICAL DIM.	
⊙ MARK IS MAJOR DIM.	
表面处理 (FINISH)	

深圳市宏利电子有限公司
Shenzhen Holy Electronic Co.,Ltd

工程图号	FPC1020CB-nP	制图 (DR)	'08/5/16
品名	FPC1.0mm -nP H2.0 双面接脚贴	审核 (CHKD)	
TITLE	FPC1.0mm Pitch H2.0 NO ZIF Dual Contact CONN	核准 (APPD)	Rigo Lu
比例 (SCALE)	1:1	张数 (SHEET)	1 OF 1
单位 (UNITS)	mm	尺寸 (SIZE)	A4
		REV	0

修订 REV	修改摘要 REVISION DESCRIPTION	日期 DATE	签名 SIGNATURE