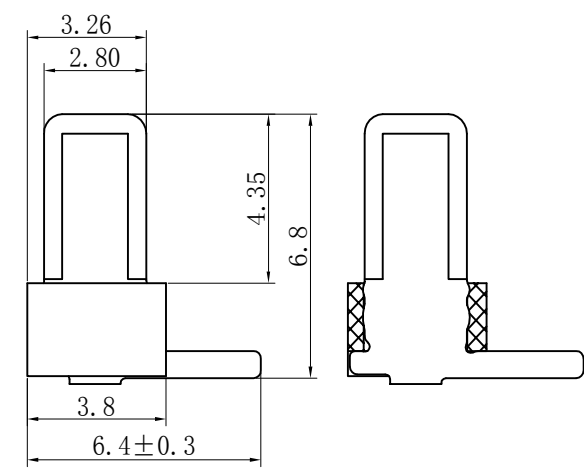
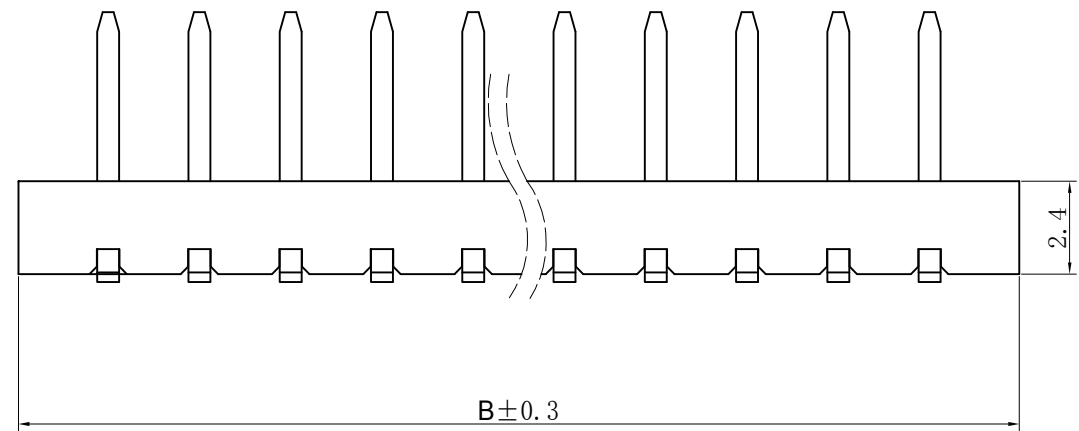
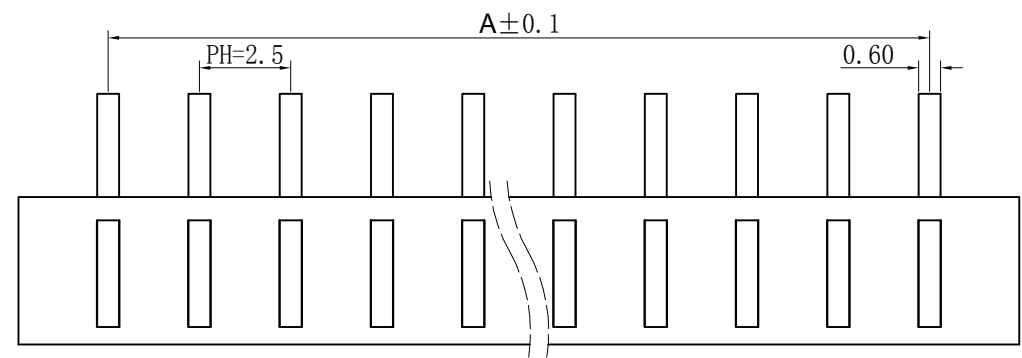


Specifications:
 Housing: LCP UL94-V0 Color: Black
 Contact: Phosphor Bronze Gold Plated
 Operating Voltage: 500V AC/DC
 Current Rating: 1A AC/DC
 Withstand Voltage: 500V AC/Minute
 Contact Resistance: $\leq 20\text{m}\Omega$
 Insulation resistance: $\geq 500\text{m}\Omega$
 Operating Temperature: $-25^{\circ}\text{C} \sim +85^{\circ}\text{C}$



P数	尺寸	
	A	B
004	7.5	12.4
005	10.0	14.9
006	12.5	17.4
007	15.0	19.9
008	17.5	22.4
009	20.0	24.9
010	22.5	27.4
011	25.0	29.9
012	27.5	32.4
013	30.0	34.9
014	32.5	37.4
015	35.0	39.9
016	37.5	42.4

一般公差 TOLERANCES X. ± 0.40 .XX ± 0.20 .X ± 0.30 .XXX ± 0.10 ANGLES $\pm 2^{\circ}$		深圳市宏利电子有限公司 Shenzhen Holy Electronic Co.,Ltd	
检验尺寸标示 SYMBOLS \odot \ominus INDICATE CLASSIFICATION DIMENSION \odot MARK IS CRITICAL DIM. \ominus MARK IS MAJOR DIM.	工程图号 HL25GX-nP	制图 (DR) '10/03/22 审核 (CHKD)	
表面处理 (FINISH)	品名 2.5mm - nP 镀金公座 (小胶芯)	核准 (APPD) Rigo Lu	
比例 (SCALE) 1:1	单位 (UNITS) mm	张数 (SHEET) 1 OF 1	SIZE A4 REV 0

修订 REV	修改摘要 REVISION DESCRIPTION	日期 DATE	签名 SIGNATURE
-	-	-	-