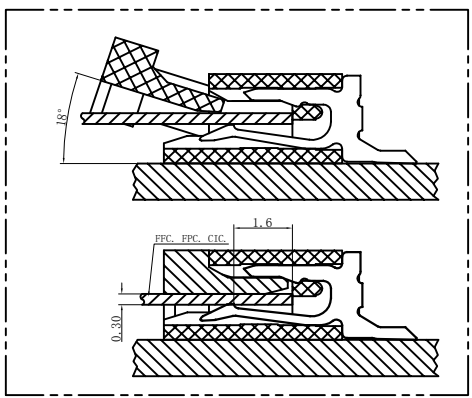
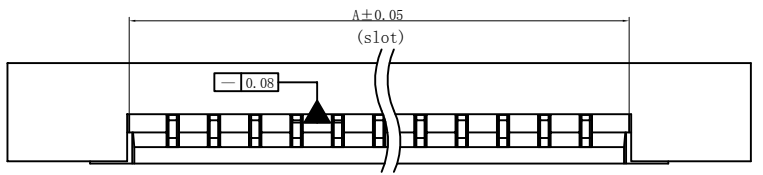
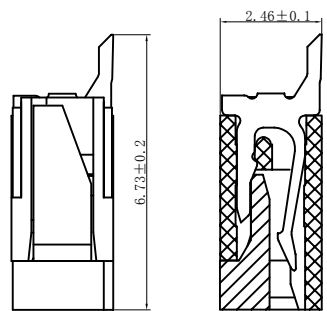
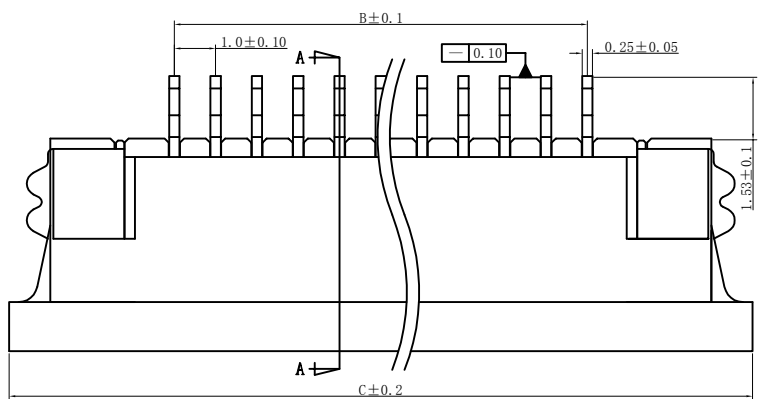
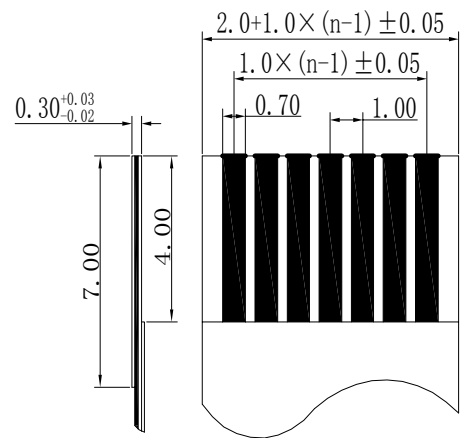
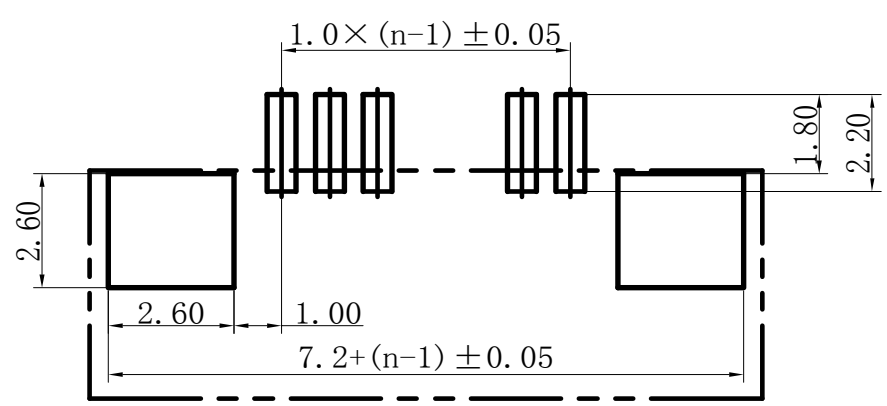


Specifications:
Housing: LCP UL94-V0 Color: Nature
Cove: LCP UL94-V0 Color: Black
Contact: Phosphor Bronze
Operating Voltage: 50V AC/DC
Current Rating: 0.5A AC/DC
Withstand Voltage: 250V AC/Minute
Contact Resistance: $\leq 20m\Omega$
Insulation resistance: $\geq 100m\Omega$
Operating Temperature: $-25^{\circ}C \sim +85^{\circ}C$



NO. of Contacts (n)	Dimensions		
	A	B	C
004	5.1	3.0	11.0
005	6.1	4.0	12.0
006	7.1	5.0	13.0
007	8.1	6.0	14.0
008	9.1	7.0	15.0
009	10.1	8.0	16.0
010	11.1	9.0	17.0
011	12.1	10.0	18.0
012	13.1	11.0	19.0
013	14.1	12.0	20.0
014	15.1	13.0	21.0
015	16.1	14.0	22.0
016	17.1	15.0	23.0
017	18.1	16.0	24.0
018	19.1	17.0	25.0
019	20.1	18.0	26.0
020	21.1	19.0	27.0
021	22.1	20.0	28.0
022	23.1	21.0	29.0
023	24.1	22.0	30.0
024	25.1	23.0	31.0
025	26.1	24.0	32.0
026	27.1	25.0	33.0
027	28.1	26.0	34.0
028	29.1	27.0	35.0
029	30.1	28.0	36.0
030	31.1	29.0	37.0
031	32.1	30.0	38.0
032	33.1	31.0	39.0



PC BOARD LAYOUT

一般公差
TOLERANCES

X. ±0.40 .XX ±0.20
.X ±0.30 .XXX ±0.10
ANGLES ±2°

检验尺寸标示
SYMBOLS \odot \ominus INDICATE CLASSIFICATION DIMENSION

\odot MARK IS CRITICAL DIM.
 \ominus MARK IS MAJOR DIM.

表面处理 (FINISH)

深圳市宏利电子有限公司
Shenzhen Holy Electronic Co.,Ltd

工程图号	FPC1025XB-nP	制图 (DR)	'08/5/16
品名	FPC1.0mm -nP H2.5 下接半包	审核 (CHKD)	
TITLE	FPC1.0mm Pitch H2.5 ZIF FOR SMT (BOTTOM CONN)	核准 (APPD)	Rigo Lu
比例 (SCALE)	1:1	单位 (UNITS)	mm
张数 (SHEET)	1 OF 1	张数 (SHEET)	1 OF 1
尺寸 (SIZE)	A4	REV	0

修订 (REV)	修改摘要 (REVISION DESCRIPTION)	日期 (DATE)	签名 (SIGNATURE)