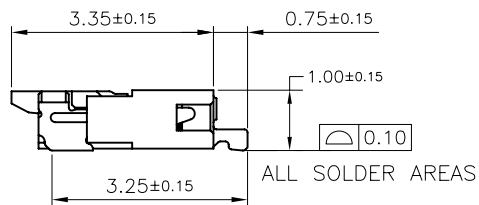
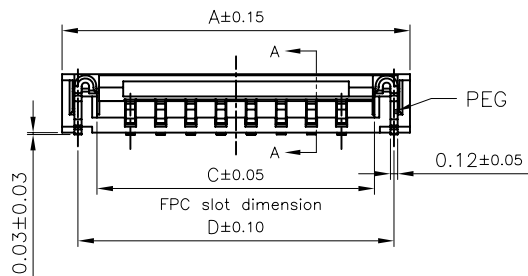
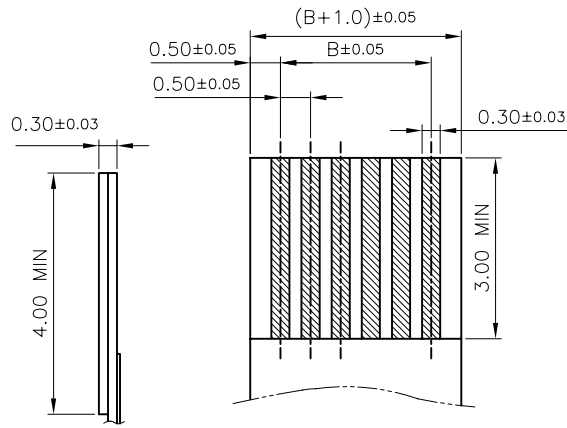
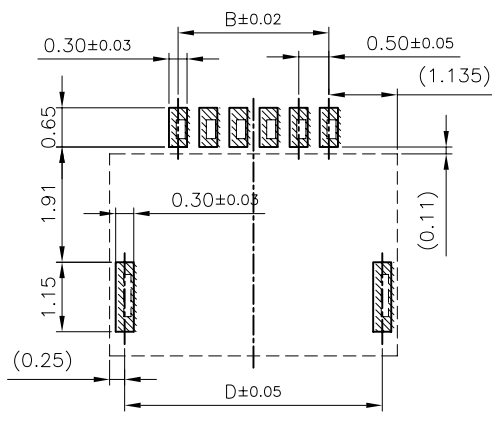


Specifications:  
 Housing: LCP UL94-V0 Color: Nature  
 Cove: LCP UL94-V0 Color: Black  
 Contact: Phosphor Bronze Gold Plated  
 Operating Voltage: 50V AC/DC  
 Current Rating: 0.5A AC/DC  
 Withstand Voltage: 200V AC/Minute  
 Contact Resistance: ≤20mΩ  
 Insulation resistance: ≥100mΩ  
 Operating Temperature: -25°C ~ +85°C



CKT	DIM=A	DIM=B	DIM=C	DIM=D	CKT	DIM=A	DIM=B	DIM=C	DIM=D
04	3.77	1.50	2.60	3.27	23	13.27	11.50	12.10	12.77
05	4.27	2.00	3.10	3.77	24	13.77	11.50	12.60	13.27
06	4.77	2.50	3.60	4.27	25	14.27	12.00	13.10	13.77
07	5.27	3.00	4.10	4.77	26	14.77	12.50	13.60	14.27
08	5.77	3.50	4.60	5.27	27	15.27	13.00	14.10	14.77
09	6.27	4.00	5.10	5.77	28	15.77	13.50	14.60	15.27
10	6.77	4.50	5.60	6.27	29	16.27	14.00	15.10	15.77
11	7.27	5.00	6.10	6.77	30	16.77	14.50	15.60	16.27
12	7.77	5.50	6.60	7.27	31	17.27	15.00	16.10	16.77
13	8.27	6.00	7.10	7.77	32	17.77	15.50	16.60	17.27
14	8.77	6.50	7.60	8.27	33	18.27	16.00	17.10	17.77
15	9.27	7.00	8.10	8.77	34	18.77	16.50	17.60	18.27
16	9.77	7.50	8.60	9.27	35	19.27	17.00	18.10	18.77
17	10.27	8.00	9.10	9.77	36	19.77	17.50	18.60	19.27
18	10.77	8.50	9.60	10.27	37	20.27	18.00	19.10	19.77
19	11.27	9.00	10.10	10.77	38	20.77	18.50	19.60	20.27
20	11.77	9.50	10.60	11.27	39	21.27	19.00	20.10	20.77
21	12.27	10.00	11.10	11.77	40	21.77	19.50	20.60	21.27
22	12.77	10.50	11.60	12.27	n	n*0.5+1.77	(n-1)*0.5	n*0.5+0.6	n*0.5+1.27



RECOMMEND PCB LAYOUT  
TOLERANCE: ±0.05

RECOMMENDED FFC/FPC DIM

一般公差  
TOLERANCES  
X ±0.40 .XX ±0.20  
.X ±0.30 .XXX ±0.10  
ANGLES ±2°

深圳市宏利电子有限公司  
Shenzhen Holy Electronic Co.,Ltd

检验尺寸标示 SYMBOLS   INDICATE CLASSIFICATION DIMENSION  MARK IS CRITICAL DIM. MARK IS MAJOR DIM.	工程图号 FPC0510FG-nP  品名 FPC0.5mm -nP H1.0 翻盖下接  TITLE FPC0.5mm Pitch H1.0 Flip ZIF CONN  表面处理 (FINISH) 比例 (SCALE) 1:1	制图 (DR) *10/03/22 审核 (CHKD)  核准 (APPD) Rigo Lu  张数 (SHEET) 1 OF 1 SIZE A4 REV 0
--	--	---

修订 REV	修改摘要 REVISION DESCRIPTION	日期 DATE	签名 SIGNATURE